

KITO

MR2 Series Motorized Trolley (125kg to 5t)

Approved by CSA
Parts List

Contents

Contents	2
Introduction.....	2
Frame and Wheel related	3
Suspension shaft related	3
Motor related	4
Gear related.....	4
Connection box related (Single speed type).....	5
Connection box related (Dual speed VFD type).....	6
Connection box related (Dual speed, 500V Class).....	7
Push button related	8
Power supply cable and Accesory related/Trolley cable related.....	9

Introduction

■ Target products

■ Product code

The parts lists show the related parts for the MR2 Series Motorized Trolley. The types of the target products are as shown below. For the parts of the hoist, refer to ER2 Series Electric Chain Hoist Parts List.

Capacity	CODE		
	Single speed model		Dual speed model
	Standard speed	Low speed	Standard speed
125kg	MR2-010S	MR2-010L	MR2-010IS/SD
250kg			
500kg			
1t	MR2-020S	MR2-020L	MR2-020IS/SD
1.5t			
2t			
2.5t	MR2-030S	MR2-030L	MR2-030IS/SD
3t			
5t			
	MR2-050S	MR2-050L	MR2-050IS/SD

■ Product category and voltage

The product has two categories for power supply voltages.

Product category	Motor Insulation Class	Voltage range		Operating Voltage
		50Hz	60Hz	
500V Class	B	500V	575V	110V (110V to 120V)
220/440V Class			208-230V	
(230/460V Class)			415-460V	

■ Interpretation of parts lists

- (1) Match the number in the 3D diagram with "In Diagram" in the parts list to obtain the part name.
 - (2) Cells with an x-mark at intersection of Part name and product code in the parts table are not used.
 - (3) Blank cells at the intersection of Part name and product code in the parts table vary the part number depending on the power supply voltage.
 - (4) For the cells with an arrow mark, the product code listed in the left cell should be applied.
- If you need a part for the blank cell, let us know the product code shown in the preceding item, power supply voltage and part number.

■ Push button cord complete set

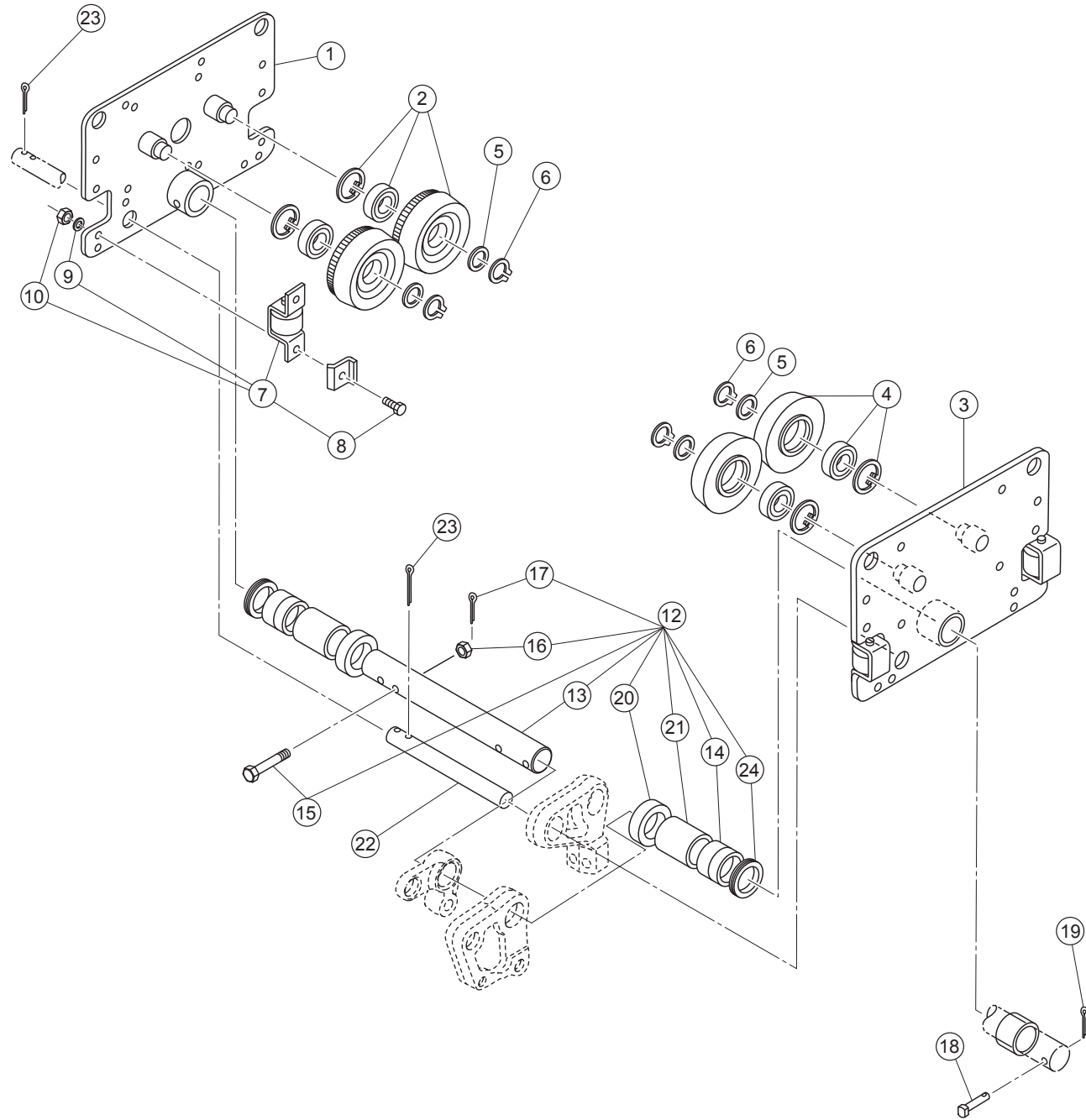
When ordering a push button cord complete set, let us know the cord length referring to the following table.

Capacity	Push button cord length
125kg - 2.5t	same as Lift(m)
3t - 5t	Lift(m)-0.3m

■ How to order

- (1) When ordering, let us know the product code, voltage, Part name, Part number and quantity.
- (2) For part price and delivery date, contact our distributor or KITO.

Frame and Wheel related/Suspension shaft related



Frame and Wheel related/Suspension shaft related

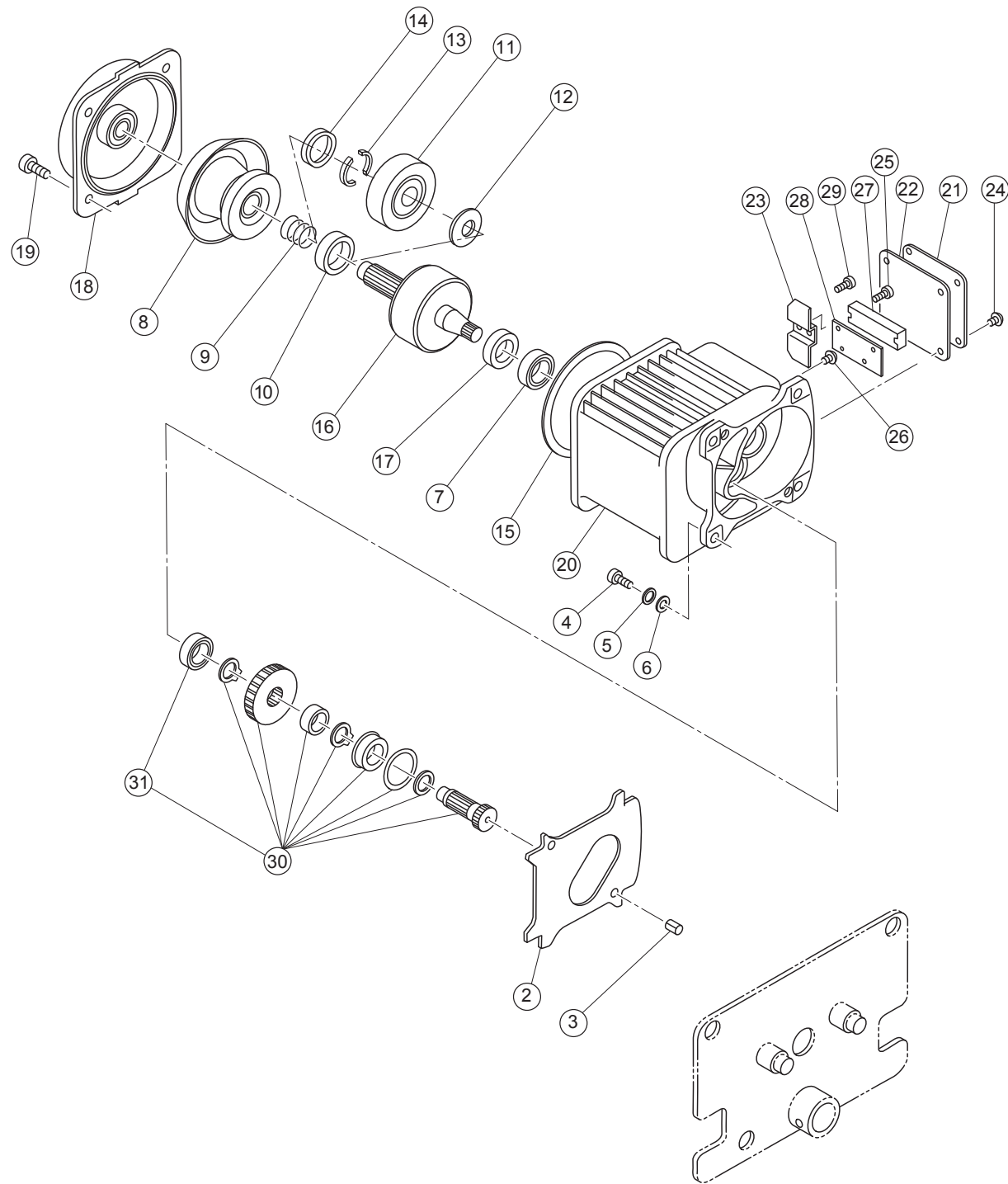
Frame and Wheel related

Figure No.	Part Number	Part Name	Quantity per unit	Product code				Remark
				MR2-010 S/L/IS/SD	MR2-020 S/L/IS/SD	MR2-030 S/L/IS/SD	MR2-050 S/L/IS/SD	
1	5201	Side plate G assembly	1	MR1DS5201	MR1ES5201	MR1FS5201	MR1GS5201	
2	1231	Track wheel G assembly	2	M6SE010S1101	M6SE020S1101	M6SE030S1101	M7SE050S1101	
3	5202	Side plate S assembly	1	MR1DS5202	MR1ES5202	MR1FS5202	MR1GS5202	
4	1232	Track wheel S assembly	2	M6SE010S1102	M6SE020S1102	M6SE030S1102	M7SE050S1102	
5	235	Washer	4	T6GA010-9104	T1GA020-9104	T1GA030-9104	M6SE050S9104	For track wheel G, S
6	236	Snap ring	4	J1SS000-00015	J1SS000-00020	J1SS000-00025	J1SS000-00035	For track wheel G, S
7	1211	Side roller complete set	4	MR1DS1211SU_01	MR1ES1211SU_01	←	MR1GS1211SU_01	
8	219	Bolt	8	J1BA1-0803030	J1BA1-1003535	←	J1BA1-1604545	
9	220	Spring lock washer	8	J1WS011-20080	J1WS011-20100	←	J1WS011-20160	
10	221	Nut	8	J1NA001-20080	J1NA001-20100	←	J1NA001-20160	

Suspension shaft related

Figure No.	Part Number	Part Name	Quantity per unit				Product code				Remark
			MR2-010	MR2-020	MR2-030	MR2-050	MR2-010 S/L/IS/SD	MR2-020 S/L/IS/SD	MR2-030 S/L/IS/SD	MR2-050 S/L/IS/SD	
12	2101	Suspension shaft complete set	1	1	1	1	MR1DS2111	MR1ES2111	MR1FS2111	MR1GS1111	
13	101	Suspension shaft	1	1	1	1	M7SE010S9115	M7SE020S9115	MR1FS9101	MR1GS9101	
14	102	Thick spacer	5	5	5	3	T4GA010-9116	T7GA030-9116	T4GA030-9116	T1GA050-9116	
15	103	Bolt	1	1	1	1	T1GA010-9153	M6FE020S9161	T1GA030-9153	M6SE050S9161	
16	104	Slotted nut	1	1	1	1	J1NL002-10100	J1NL002-10100	J1NL002-20120	J1NL002-20120	
17	105	Split pin	1	1	1	1	J1PW01-025018	J1PW01-025018	J1PW01-030022	J1PW01-030022	
18	106	Shaft stopper	1	1	1	1	T6GA020-9156	M6FE020S9164	M6SE030S9164	M6SE050S9164	
19	107	Split pin	1	1	1	1	J1PW02-040020	J1PW02-040020	J1PW02-040022	J1PW02-040022	
24	109	Thin spacer	8	8	8	8	T6GA020-9117	T6GA030-9117	T6GD050-9120	M7SS050S9117	
20	110	Thick spacer L	2	2	2	2	MR1DS9110	MR1ES9110	MR1FS9110	MR1GS9110	
12	1121	Suspension shaft complete set (300)	1	1	1	1	MR1DS1112	MR1ES1112	MR1FS1112	MR1GS1112	
13	101	Suspension shaft (300)	1	1	1	1	M7SE010S9181	M7SE020S9181	MR1FS9121	MR1GS9121	
14	102	Thick spacer	9	9	9	13	T4GA010-9116	T7GA030-9116	T4GA030-9116	T1GA050-9116	
15	103	Bolt	1	1	1	1	T1GA010-9153	M6FE020S9161	T1GA030-9153	M6SE050S9161	
16	104	Slotted nut	1	1	1	1	J1NL002-10100	J1NL002-10100	J1NL002-20120	J1NL002-20120	
17	105	Split pin	1	1	1	1	J1PW01-025018	J1PW01-025018	J1PW01-030022	J1PW01-030022	
18	106	Shaft stopper	1	1	1	1	T6GA020-9156	M6FE020S9164	M6SE030S9164	M6SE050S9164	
19	107	Split pin	1	1	1	1	J1PW02-040020	J1PW02-040020	J1PW02-040022	J1PW02-040022	
24	109	Thin spacer	8	8	8	8	T6GA020-9117	T6GA030-9117	T6GD050-9120	M7SS050S9117	
20	110	Thick spacer L	2	2	2	2	MR1DS9110	MR1ES9110	MR1FS9110	MR1GS9110	
21	108	Fixing spacer (300)	2	2	2	x	M7SE010S9182	M7SE020S9182	M7SE030S9182	x	
22	131	Fixing shaft	1	1	1	1	MR1DS9131	MR1ES9131	MR1FS9131	MR1GS9131	For standerd beam
22	141	Fixing shaft	1	1	1	1	MR1DS9141	MR1ES9141	MR1FS9141	MR1GS9141	For wide beam
23	132	Split pin	2	2	2	2	J1PW02-050040	J1PW02-050040	J1PW02-050050	J1PW02-050050	For fixing shaft

Motor related/Gear related



Motor related/Gear related

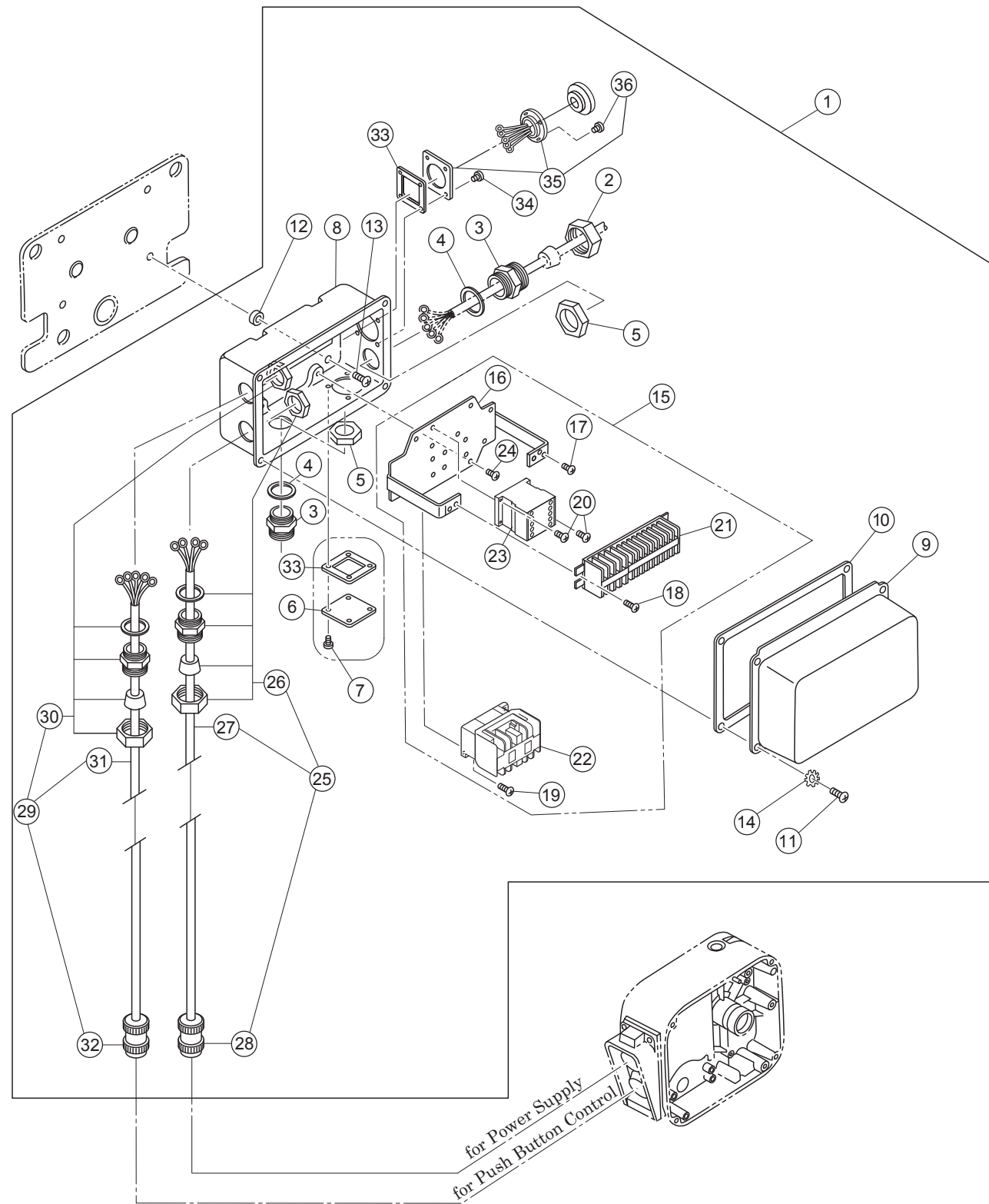
Motor related

Figure No.	Part Number	Part Name	Quantity per unit	Product code		Remark
				MR2-010S/L/IS/SD MR2-020S/L/IS/SD MR2-030S/L/IS/SD	MR2-050S/L/IS/SD	
2	248	Gear frame packing	1	MR1DS9248	MR1DS9248	
3	249	Set pin	2	MR1DS9249	MR1DS9249	For gear frame and frame G
4	250	Bolt	4	J1BA1-0802525	J1BA1-0802525	For gear frame. Integrated type with spring/flat washer is available. (251 and 252 are not necessary.)
5	251	Spring lock washer	4	J1WS011-20080	J1WS011-20080	For gear frame
6	252	Washer	4	J1WA011-00080	J1WA011-00080	For gear frame
7	253	Ball bearing	1	J1GROC0-06204	J1GROC0-06204	For gear frame on motor side
8	5261	Brake drum assembly	1	MR1DS5261	MR1DS5261	
				MR1DB5261	MR1DB5261	500V Class dual speed
9	264	Brake spring	1	M3ES010-9304	M3ES010-9304	
				MR1DB9264	MR1DB9264	500V Class dual speed
10	265	Bumper	1	MR1DS9265	MR1DS9265	For single speed
11	271	Pull rotor	1	E5FE005S9503	E5FE005S9503	500V Class dual speed
12	272	Coned disc spring	1	E5FE005S9504	E5FE005S9504	500V Class dual speed
13	273	Thrust disc	2	E5FE005S9505	E5FE005S9505	500V Class dual speed
14	274	Thrust collar	1	E5FE005S9506	E5FE005S9506	500V Class dual speed
15	281	Guard	1	MR1DS9281	MR1DS9281	
16	5291	Motor shaft with rotor	1	MR1DS5291	MR1GS5291	
				MR1DB5291	MR1FB5291	500V Class dual speed
				MR1FB5291	x	030SD, For 500V Class dual speed
17	293	Oil seal	1	MR1DS9293	MR1DS9293	
18	1301	Motor cover assembly	1	MR1DS1301	MR1DS1301	
19	304	Socket bolt	4	J1BE1-0802222	J1BE1-0802222	For motor cover
20	5321	Motor frame with stator	1	MR2SKK10S5A2	MR2SKK50S5A2	500V Class
				MR2SKV10S5A2	MR2SKV50S5A2	220/440V Class
				MR2SKK10B5A2	MR2SKK30B5A2	500V Class dual speed
				MR2SKK30B5A2	x	030SD, For 500V Class dual speed
21	324	Terminal cover	1	M6FE005S9206	M7SE010B9206	
				MR1GS9324	MR1GS9324	500V Class dual speed
22	325	Terminal cover packing	1	MR1DS9325	MR1GS9325	
				MR1GS9325	MR1GS9325	500V Class dual speed
23	326	Coil cover	1	MR1DS9326	MR1DS9326	
24	331	Machine screw with spring washer	4	J1AP2-5001010	J1AP2-5001010	For terminal cover
25	332	Machine screw with spring washer	2	J1AW2-4002020	←	For terminal 6P
26	334	Machine screw with spring washer	1	J1AP2-4000808	J1AP2-4000808	For ground
27	851	Terminal 6P	1	ECP1306AB	←	
28	855	Terminal plate holder	1	MR1DS9855	MR1DS9855	
29	857	Flat head screw	2	J1AL2-4001010	J1AL2-4001010	For terminal plate holder

Gear related

Figure No.	Part Number	Part Name	Quantity per unit	Product code								Remark
				MR2-010S/IS	MR2-010L MR2-010SD	MR2-020S/IS	MR2-020L MR2-020SD	MR2-030S/IS	MR2-030L MR2-030SD	MR2-050S/IS	MR2-050L MR2-050SD	
30	1241	Gear complete set	1	MR1DS1241	MR1DL1241	MR1ES1241	MR1EL1241	MR1ES1241	MR1EL1241	MR1GS1241	MR1GL1241	
31	247	Ball bearing	1	J1GR0B0-06002								For gear #3 on gear frame side

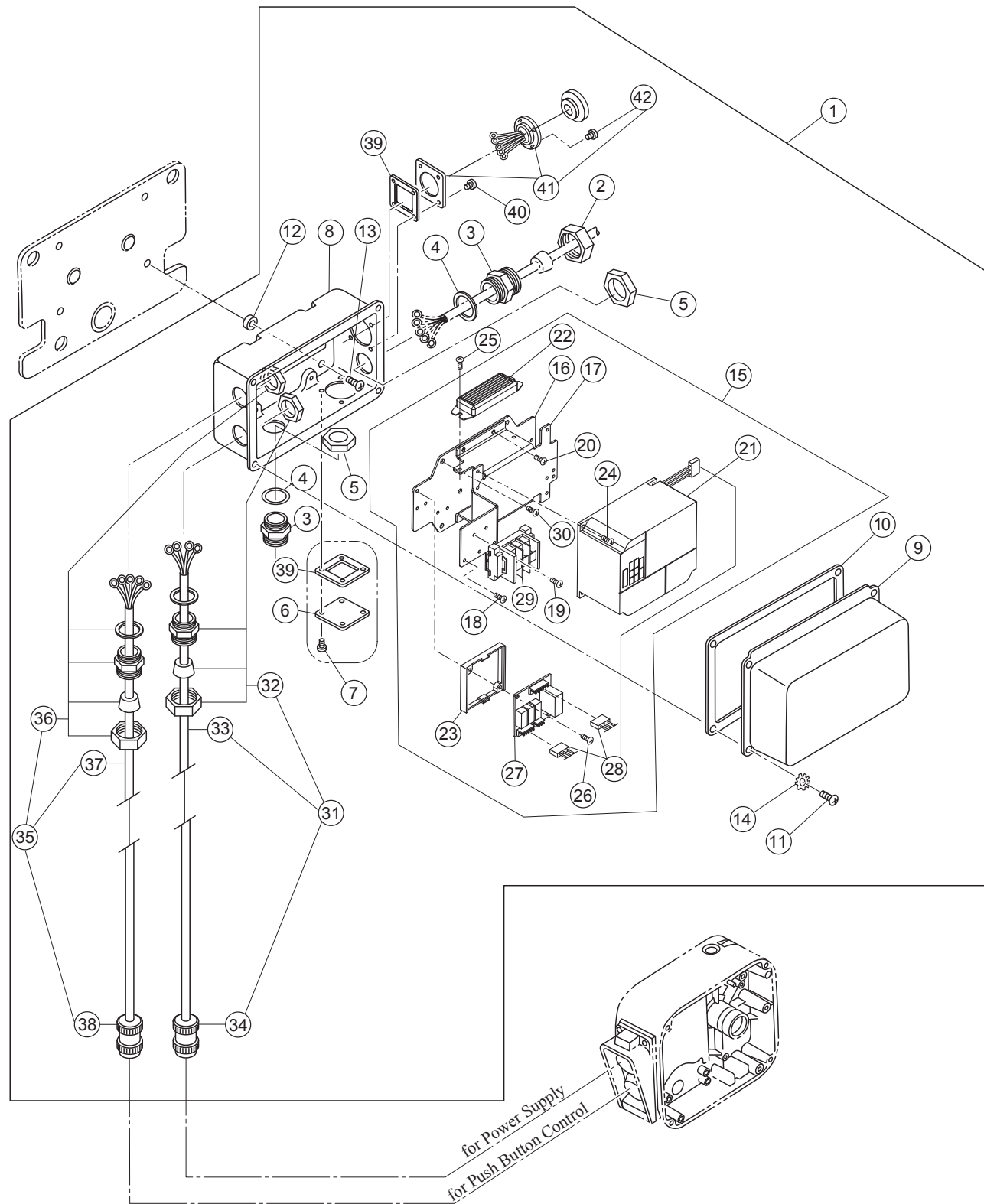
Connection box related (Single speed type)



Connection box related (Single speed type)

Figure No.	Part Number	Part Name	Quantity per unit	Product code				Remark
				MR2-010S/L	MR2-020S/L	MR2-030S/L	MR2-050S/L	
1	1401	Connection box complete set	1	MR2RHM10M1A4C	MR2RH20M1A4C	←	←	
2	341	Holder A	1	ECP5924AA	←	←	←	
3	342	Holder B	2	ECP5924AB	←	←	←	
4	343	Packing	2	ECP5924AC	←	←	←	
5	344	Holder nut	2	ECP5924AD	←	←	←	
6	347	Cord cover	1	E6LE010S9630	←	←	←	
7	348	Machine screw with spring washer	4	J1AP2-5001010	←	←	←	For Cord cover
8	401	Connection box	1	MR1DS9401	←	←	←	
9	411	Connection box cover	1	MR1DS9411	←	←	←	
10	421	Connection box packing	1	MR1DS9421	←	←	←	
11	422	Machine screw with spring washer	4	J1AP2-5001010	←	←	←	For Connection box cover
12	423	Spacer	4	M6SE010S9517	←	←	←	
13	424	Machine screw with spring washer	4	J1AP2-8002020	←	←	←	For Connection box assemble
14	425	Toothed lock washer	4	J1WH012-10050	←	←	←	For Connection box cover
15	1445	Plate complete set	1	MR2RHM10M1A5	←	←	←	
16	5445	Plate assembly	1	MR2DS5445	←	←	←	
17	451	Machine screw with spring washer	3	J1AP2-4000808	←	←	←	For earth
18	452	Machine screw with spring washer	2	J1AW2-4001212	←	←	←	For Terminal
19	453	Machine screw with spring washer	2	J1AP2-4001616	←	←	←	For Electromagnetic contactor 871
20	457	Machine screw with spring washer	2	J1AP2-4001212	←	←	←	For Electromagnetic contactor 873
21	853	Terminal 16P	1	ECP1416AA	←	←	←	
22	871	Electromagnetic contactor	1	MGC22306B	←	←	←	For traveling
23	873	Electromagnetic contactor	1	MGC12306B	←	←	←	For emergency stop
24	454	Machine screw with spring washer	4	J1AP2-5001010	←	←	←	For plate assemble
25	1751	Relay cable P assembly	1	MR2DS1759C	MR2ES1759C	←	←	For Power supply
26	1570	Holder assembly	1	ECP5924BA	ECP5924BC	←	←	
27	751	Cable	1	ZDCC401-0000	ZDCC402-0000	←	←	
28	752	Plug 4P	1	ECP2304AD	ECP2304AF	←	←	
29	1761	Relay cable S assembly	1	MR2DS1768	MR2ES1768	←	←	For Operation
30	1570	Holder assembly	1	ECP5924BC	←	←	←	
31	761	Cable	1	ZDCK601-0000	←	←	←	
32	762	Plug 8P	1	ECP2108AC	←	←	←	
33	818	Cord cover packing	2	M7SE010S9527	←	←	←	
34	820	Machine screw with spring washer	4	J1AP2-5001010	←	←	←	For Plate P
35	1811	Socket 8P assembly	1	MR2DS2811	←	←	←	With Plate P
36	814	Flat head machine screw	4	J1AL2-4001212	←	←	←	For Socket 8P

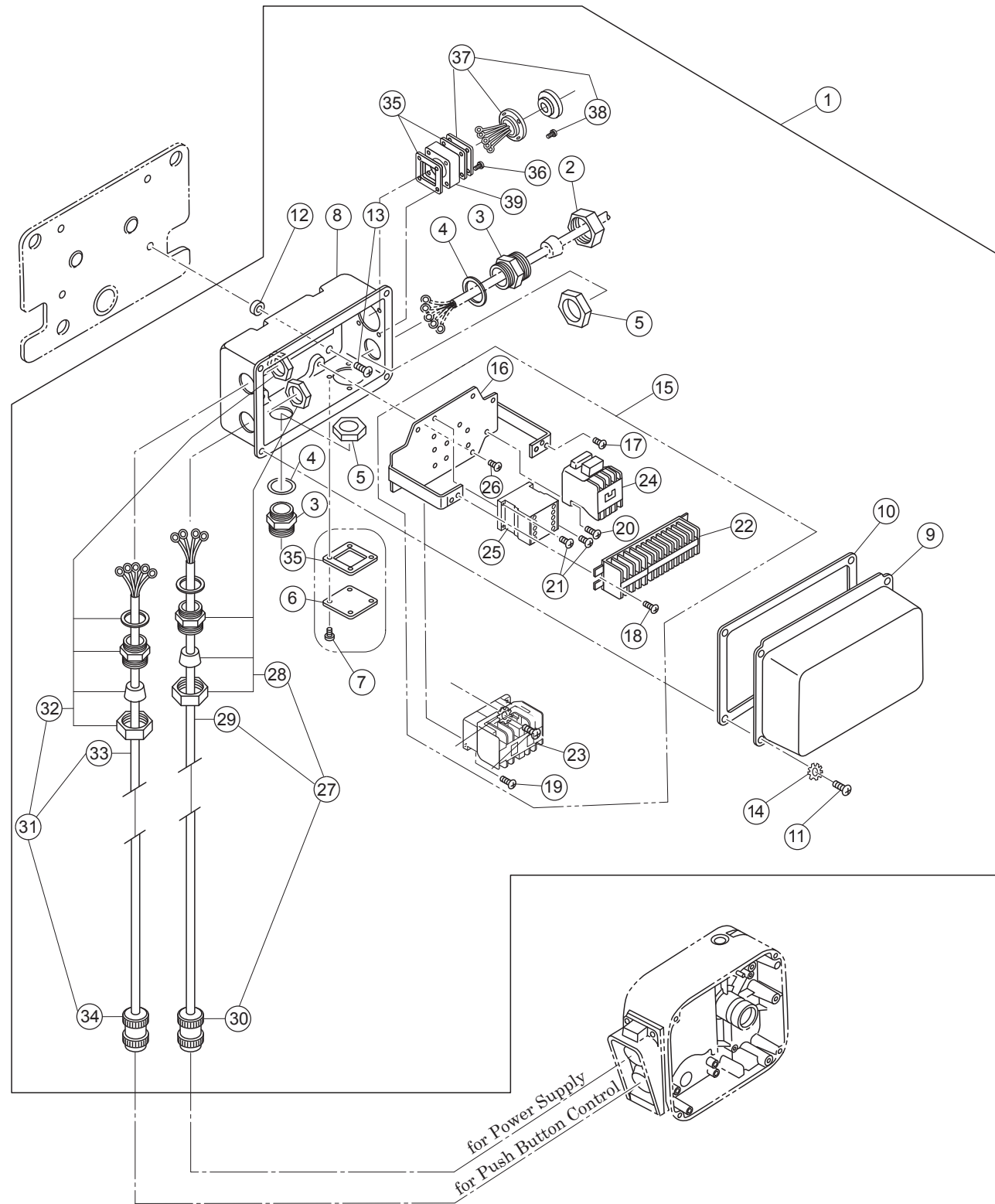
Connection box related (Dual speed VFD type)



Connection box related (Dual speed VFD type)

Figure No.	Part Number	Part Name	Quantity per unit	Product code				Remark
				MR2-010IS	MR2-020IS	MR2-030IS	MR2-050IS	
1	1401	Connection box complete set	1	MR2IHE10R1A4C	MR2IHE20R1A4C	←	MR2IHE50R1A4C	220/440V(220V) Class
				MR2IHN10R1A4C	MR2IHN20R1A4C	←	MR2IHN50R1A4C	220/440V(440V) Class
2	341	Holder A	1	ECP5924AA	←	←	←	
3	342	Holder B	2	ECP5924AB	←	←	←	
4	343	Packing	2	ECP5924AC	←	←	←	
5	344	Holder nut	2	ECP5924AD	←	←	←	
6	347	Cord cover	1	E6LE010S9630	←	←	←	
7	348	Machine screw with spring washer	4	J1AP2-5000808	←	←	←	For Cord cover
8	401	Connection box	1	MR1DS9401	←	←	←	
9	411	Connection box cover	1	MR1DS9411	←	←	←	
10	421	Connection box packing	1	MR1DS9421	←	←	←	
11	422	Machine screw with spring washer	4	J1AP2-5001010	←	←	←	For Connection box cover
12	423	Spacer	4	M6SE010S9517	←	←	←	
13	424	Machine screw with spring washer	4	J1AP2-8002020	←	←	←	For Connection box assemble
14	425	Toothed lock washer	4	J1WH012-10050	←	←	←	For Connection box cover
15	1445	Plate complete set	1	MR2IHE10R1A5	←	←	MR2IHE50R1A5	220/440V(220V) Class
				MR2IHN10R1A5	←	←	MR2IHN50R1A5	220/440V(440V) Class
16	441	Plate	1	MR2DI9441	←	←	←	
17	443	Plate B	1	MR2DI9443	←	←	←	
18	451	Machine screw with spring washer	3	J1AP2-4000808	←	←	←	For earth
19	452	Machine screw with spring washer	2	J1AW2-4000808	←	←	←	For Terminal
20	467	Machine screw with spring washer	4	J1AP2-4000808	←	←	←	For plate B
21	1571	VFD assembly	1	INV604H31	←	←	INV60FH31	220/440V(220V) Class
				INV604M31	←	←	INV60FM31	220/440V(440V) Class
22	573	Braking resistor	1	INV904E34	←	←	INV90FE34	220/440V(220V) Class
				INV904Y34	←	←	INV90FY34	220/440V(440V) Class
23	575	Board support	1	ECP99BKAB	←	←	←	
24	580	Machine screw with spring washer	2	J1AP2-4001010	←	←	←	For VFD
25	581	Machine screw with spring washer	2	J1AW2-4000808	←	←	←	For Braking resistor
26	582	Machine screw with spring washer	2	J1AP2-4001616	←	←	←	For Interface board and Board support
27	716	Interface board	1	ECP91KB11	←	←	←	
28	863	VFD lead wire	1set	MR2IHE10R9A5				
29	853	Terminal 3P	1	ECP1403AA	←	←	←	
30	454	Machine screw with spring washer	4	J1AP2-5001010	←	←	←	For Plate complete set
31	1751	Relay cable P assembly	1	MR2DS1759C	MR2ES1759C	←	←	For Power supply
32	1570	Holder assembly	1	ECP5924BA	ECP5924BC	←	←	
33	751	Cable	1	ZDCC401-0000	ZDCC402-0000	←	←	
34	752	Plug 4P	1	ECP2304AD	ECP2304AF	←	←	
35	1761	Relay cable S assembly	1	MR2DI1768	MR2EI1768	←	←	For Operation
36	1570	Holder assembly	1	ECP5924BC	←	←	←	
37	761	Cable	1	ZDCK601-0000	←	←	←	
38	762	Plug 8P	1	ECP2108AC	←	←	←	
39	818	Cord cover packing	2	M7SE010S9527	←	←	←	
40	820	Machine screw with spring washer	4	J1AP2-5001010	←	←	←	For Socket 8P assembly or Plate D
41	1811	Socket 8P assembly	1	MR2DI1811	←	←	←	220/440V(220V) Class With Plate P
				MR2DI2811	←	←	←	220/440V(440V) Class With Plate P
42	814	Flat head machine screw	4	J1AL2-4001212	←	←	←	For Socket 8P

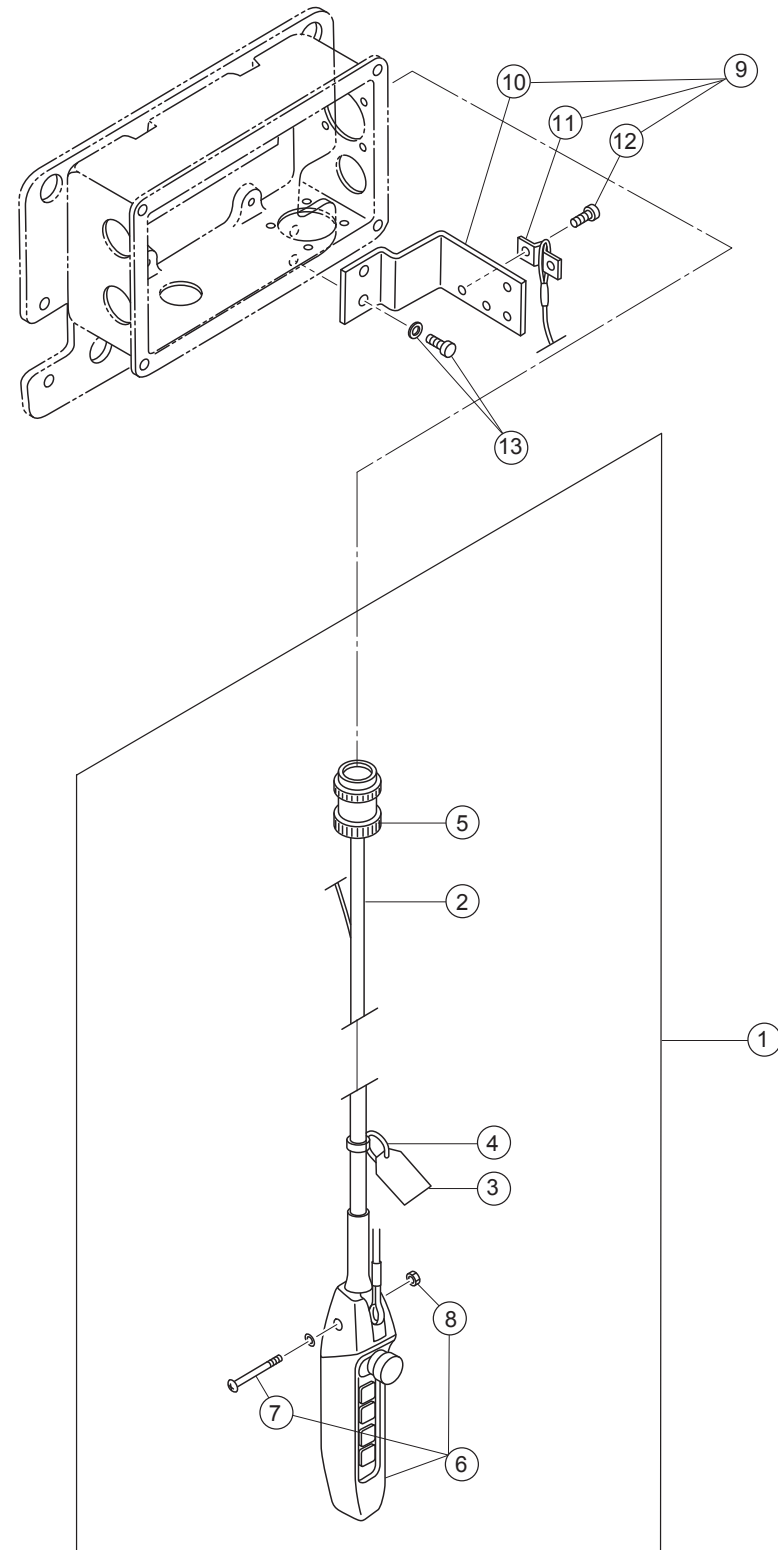
Connection box related (Dual speed type, 500V Class)



Connection box related (Dual speed type, 500V Class)

Figure No.	Part Number	Part Name	Quantity per unit	Product code				Remark
				MR2-010SD	MR2-020SD	MR2-030SD	MR2-050SD	
1	1401	Connection box complete set	1	MR2DKK10J1A4C	MR2DKK20J1A4C	←	←	
2	341	Holder A	1	ECP5924AA	←	←	←	
3	342	Holder B	2	ECP5924AB	←	←	←	
4	343	Packing	2	ECP5924AC	←	←	←	
5	344	Holder nut	2	ECP5924AD	←	←	←	
6	347	Cord cover	1	E6LE010S9630	←	←	←	
7	348	Machine screw with spring washer	4	J1AP2-5001010	←	←	←	For Cord cover
8	401	Connection box	1	MR1DS9401	←	←	←	
9	411	Connection box cover	1	MR1DS9411	←	←	←	
10	421	Connection box packing	1	MR1DS9421	←	←	←	
11	422	Machine screw with spring washer	4	J1AP2-5001010	←	←	←	For Connection box cover
12	423	Spacer	4	M6SE010S9517	←	←	←	
13	424	Machine screw with spring washer	4	J1AP2-8002020	←	←	←	For Connection box assemble
14	425	Toothed lock washer	4	J1WH012-10050	←	←	←	For Connection box cover
15	1445	Plate complete set	1	MR2DKK10J1A5	←	←	←	
16	5445	Plate assembly	1	MR2DS5445	←	←	←	
17	451	Machine screw with spring washer	3	J1AP2-4000808	←	←	←	For earth
18	452	Machine screw with spring washer	2	J1AW2-4001212	←	←	←	For Terminal
19	453	Machine screw with spring washer	2	J1AP2-4001616	←	←	←	For Electromagnetic contactor 871
20	456	Machine screw with spring washer	2	J1AW2-4001414	←	←	←	For Electromagnetic contactor 872
21	457	Machine screw with spring washer	2	J1AP2-4001212	←	←	←	For Electromagnetic contactor 873
22	853	Terminal 16P	1	ECP1416AA	←	←	←	
23	871	Electromagnetic contactor	1	MGC22306B	←	←	←	For traveling
24	872	Electromagnetic contactor	1	MGC11226B	←	←	←	500V Class dual speed
25	873	Electromagnetic contactor	1	MGC12306B	←	←	←	For emergency stop
26	454	Machine screw with spring washer	4	J1AP2-5001010	←	←	←	For plate assemble
27	1751	Relay cable P assembly	1	MR2DS1759C	MR2ES1759C	←	←	For Power supply
28	1570	Holder assembly	1	ECP5924BA	ECP5924BC	←	←	
29	751	Cable	1	ZDCC401-0000	ZDCC402-0000	←	←	
30	752	Plug 4P	1	ECP2304AD	ECP2304AF	←	←	
31	1761	Relay cable S assembly	1	MR2DS1768	MR2ES1768	←	←	For Operation
32	1570	Holder assembly	1	ECP5924BC	←	←	←	
33	761	Cable	1	ZDCK601-0000	←	←	←	
34	762	Plug 8P	1	ECP2108AC	←	←	←	
35	818	Cord cover packing	3	M7SE010S9527	←	←	←	
36	820	Machine screw with spring washer	4	J1AP2-5003030	←	←	←	For Socket 8P assembly
37	1811	Socket 8P assembly	1	MR2DB2811	←	←	←	With Plate P
38	814	Flat head machine screw	4	J1AL2-4001212	←	←	←	For Socket 8P
39	361	Socket holder	1	ECP5924AK	←	←	←	

Push button related

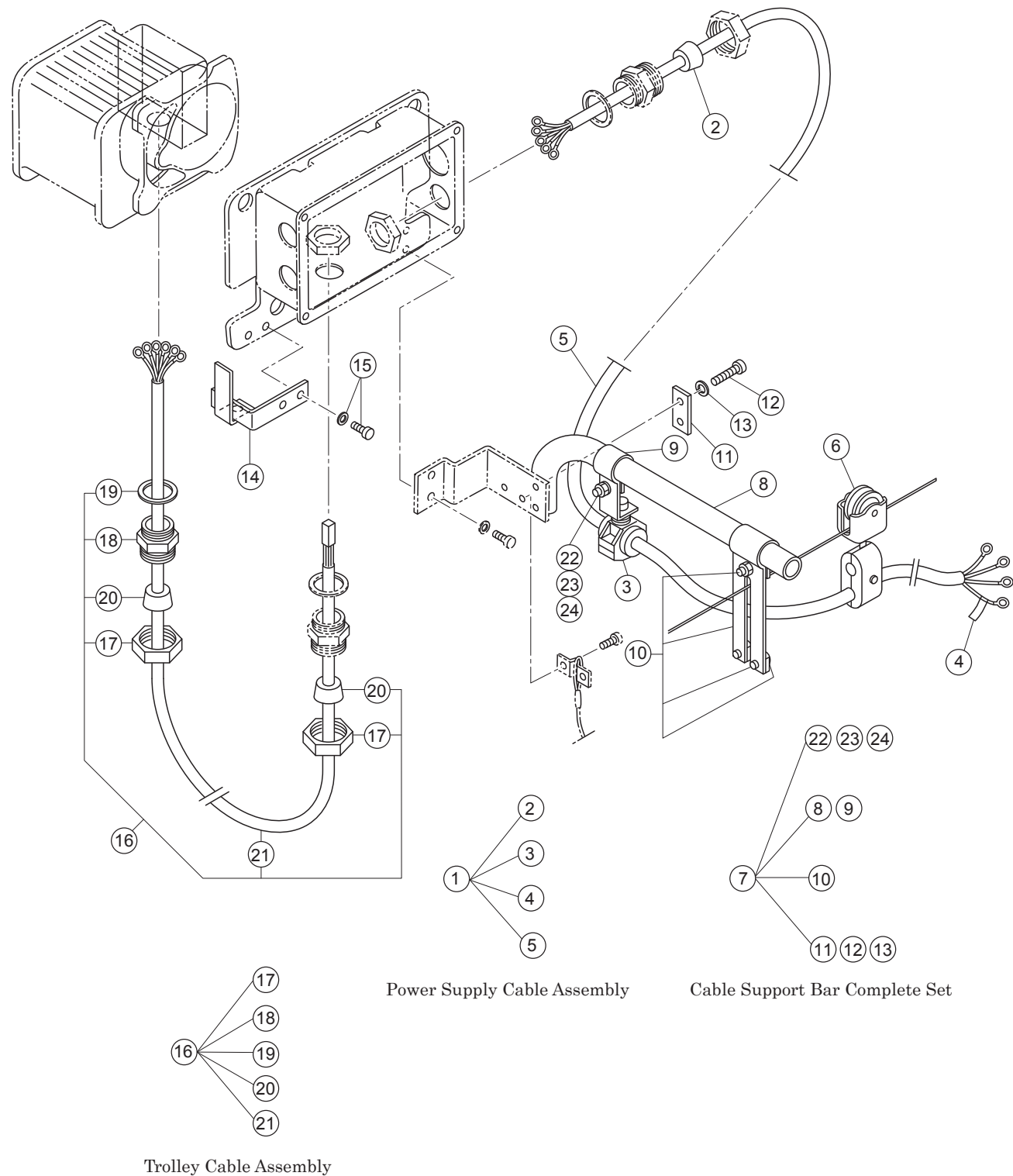


Push button related

Figure No.	Part Number	Part Name	Quantity per unit	Product code				Remark
				ER2-Single speed MR2-Single speed	ER2-Dual speed MR2-Single speed	ER2-Single speed MR2-Dual speed	ER2-Dual speed MR2-Dual speed	
1	1781	Push button cord TR assembly	1	ZB1102AD5000	ZB2102AD5000	ZB1202AD5000	ZB2202AD5000	
2	781	Cable	1	ZDCJ601-0000	ZDCJ801-0000	←	←	
3	783	Warning tag PB	1	SWD9013AE	←	←	←	
4	784	Tag holder	1	E7SE003S9787	←	←	←	
5	792	Plug 8P	1	ECP2108AC	ECP2108AD	←	←	
6	1801	5 push button switch assembly	1	SWDH110AE	SWDH210AE	SWDH120AE	SWDH220AE	
7	788	Machine screw with spring washer	1	J1AP2-4002608	←	←	←	
8	789	Nut	1	J1NA004-10040	←	←	←	

Figure No.	Part Number	Part Name	Quantity per unit	Product code				Remark
				MR2-010S/L/IS/SD	MR2-020S/L/IS/SD	MR2-030S/L/IS/SD	MR2-050S/L/IS/SD	
9	1481	Bar holder assembly	1	MR1DS1481	←	←	←	
10	481	Bar holder	1	MR1DS9481	←	←	←	
11	816	Cord chain stopper	1	E6LE010S9614	←	←	←	
12	817	Machine screw with spring washer	2	J1AP2-6001212	←	←	←	For cord chain stopper
13	482	Socket bolt	2	J1BG1-1002828	←	←	←	For bar holder

Power supply cable related/Accessory related/Trolley cable related



Power Supply Cable Assembly

Cable Support Bar Complete Set

Trolley Cable Assembly

Power supply cable related/Accessory related/Trolley cable related

Power supply cable related

Figure No.	Part Number	Part Name	Quantity per unit	Product code					Remark
				MR2-010 S/L/IS/SD	MR2-020 S/L/IS/SD		MR2-030 S/L/IS/SD	MR2-050 S/L/IS/SD	
					ER2-015S/IS/SD ER2-020L/IL/LD	ER2-020S/IS/SD			
1	1771	Power supply cable assembly	1	ZBZC12AH1000 ZBZC12AH1000	← ←	← ZBZC12BH1000	← ←	← ←	500V Class 220/440V Class
2	351	Cable packing	1	ECP6916AA ECP6916AA	← ←	← ECP6918AA	← ←	← ←	500V Class 220/440V Class
3	1724	Cable support 16 assembly Cable support 16 assembly Cable support 19 assembly	1	M3ES010-1724 M3ES010-1724 x	← ← x	← x ECP5900CA	← x ←	← x ←	500V Class 220/440V Class 220/440V Class
4	741	Name plate G	1	E6LE010S9806	←	←	←	←	
5	771	Cable	1	ZDCC402-0000 ZDCC402-0000	← ←	← ZDCC403-0000	← ←	← ←	500V Class 220/440V Class
6	1641	Cable hanger 15 assembly Cable hanger 15 assembly Cable hanger 17 assembly	n	M3YS010-1733 M3YS010-1733 x	← ← x	← x M7NE010S1108	← x ←	← x ←	500V Class 220/440V Class 220/440V Class

Accessory related

Figure No.	Part Number	Part Name	Quantity per unit	Product code				Remark
				MR2-010S/L/IS/SD	MR2-020S/L/IS/SD	MR2-030S/L/IS/SD	MR2-050S/L/IS/SD	
7	1491	Cable support bar complete set	1	MR1DS1491	←	←	←	For power supply cable
8	491	Cable support bar	1	MR1DS9491	←	←	←	
9	492	Cable support arm	1	MR1DS9492	←	←	←	
10	1493	Wire guide assembly	1	MR1DS1493	←	←	←	
11	501	Support bar holder (plate)	1	MR1DS9501	←	←	←	
12	505	Bolt	2	J1BA2-0803030	←	←	←	For support bar holder (plate)
13	506	Spring lock washer	2	J1WS012-20080	←	←	←	For support bar holder (plate)
22	502	Bolt	1	J1BA2-0802525	←	←	←	
23	503	Spring lock washer	1	J1WS012-20080	←	←	←	
24	504	Nut	1	J1NA002-20080	←	←	←	
14	511	Cable hanger pusher	1	MR1DS9511	x	x	x	For T-type hanger (MR1t, Beam 75mm)
	512	Cable hanger pusher	1	MR1DS9512	←	←	x	For T-type hanger(MR1t-3t, Beam 100-150mm)
	511	Cable hanger pusher	1	x	x	x	MR1GS9511	For T-type hanger (MR5t, Beam125-175mm)
15	516	Socket bolt with spring washer	2	J1BG1-1002828	←	←	←	For cable hanger pusher

Trolley cable related

Figure No.	Part Number	Part Name	Quantity per unit	Product code			Remark
				MR2-010S/L/IS MR2-020S/L/IS MR2-030S/L/IS MR2-050S/L/IS	MR2-010SD MR2-020SD MR2-030SD MR2-050SD		
16	1791	Trolley cable assembly	1	MR2DS1793 MR2DS1793	MR2DB1793 x	500V Class 220/440V Class	
17	341	Holder A	2	ECP5924AA	←		
18	342	Holder B	1/2	ECP5924AB	←	500V Class dual speed provides 2 pieces	
19	343	Packing	1/2	ECP5924AC	←	500V Class dual speed provides 2 pieces	
20	351	Cable packing	2	ECP6916AA ECP6916AA	ECP6918AA x	500V Class 220/440V Class	
21	791	Cable	1	ZDCC601-0000 ZDCC601-0000	ZDCC801-0000 x	500V Class 220/440V Class	

< Memo >

< Memo >

KITO

URL. <http://www.kito.ca>

Phone: 1-888-322-KITO (Toll free)