

SNER Electric Chain Hoists with Hook and Lug Suspensions and Motorized, Push and Geared Trolleys



SNER005L

Our SNER Series of electric chain hoists furnishes single-phase operation in a heavy-duty, low-headroom design. Available in hook mount or coupled with a trolley, it easily transports any load. Look to this model when high quality and convenience are important for the job.

Features and Benefits

Extreme Duty Motor

Higher horsepower and top duty ratings provide increased performance.

Pull-Rotor Motor Brake

Extremely durable and reliable, this advanced design has no brake coil to fail.

Unique Chain Guide

Provides quiet and smooth guiding of chain. Easily removed without disassembly of hoist. Heavy cast iron construction for improved wear.

Load Sheave

Deep-groove pockets fully support the load chain, reduces vibration and chain wear and provides a true vertical lift.

Long Life Friction Clutch

Protects hoist from damage and prevents overwinding.

Heat Treated Helical and Spur Gears

Precision machined for long life. Oil bath lubrication results in a quiet, smooth, cool operation.

Completely Sealed Body

Suitable for indoor, outdoor and harsh environments.

Compact Aluminum Body

Die-cast body is lightweight and offers low headroom.

Easy Maintenance Control Panel

Fast on-site access with hinged cover, single swing-out panel and simple layout of controls.

Superior Quality Chain

Grade 80 nickel-plated load chain is heat treated for wear resistance and extended life.

Forged Carbon Steel Hooks

Under excessive loads will open gradually and not fracture. Bottom hook swivels 360 degrees.

Motorized Trolley Side Guide Rollers

Provide smooth trolley motion and reduced wear on wheels and beam.

Motorized Trolley Drop Stops and Rubber Bumpers

Built-in security for the operator and added protection for the equipment and load.

Standard Hoist/Trolley Specifications

Capacity Range

1/4 Ton–3 Ton

Reconnectable Voltage

115/230-1-60

Control Voltage

110V

Duty Cycle*

Hoist—60 Min., Trolley—30 Min.

Classification*

ASME H4, ISO M5 or M4, FEM 2m or 1Am

Ratings

Hoist/Trolley—IP55

Pendant—IP65

Limit Switch

Prevents overwinding/overlifting
Standard upper

Chain Falls

Single fall through 2 Ton

Standard Lengths

Lift—10'

Pendant Drop—4' less than lift

Power Supply—Hoist—15'

Power Supply—Motorized

Trolley—30'

(longer lengths available)

Standard Pendants

Hoist—2 Button,

Hoist/Trolley—4 Button

Momentary contacts

Chain Containers

Optional

Canvas, plastic or steel

Geared Trolley Standard

Hand Chain Drop

2' less than lift
(longer drops available)

Trolley Shafts

Standard shafts fit wide flange range

Longer shafts for wider beams

Spacers for easy adjustments

Trolley Wheels

All steel

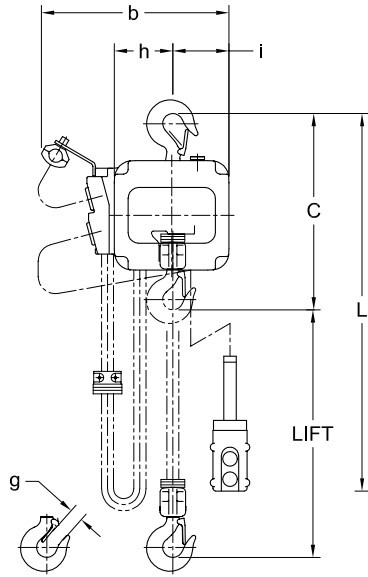
Shielded ball bearings

Fit flat or tapered beam flange

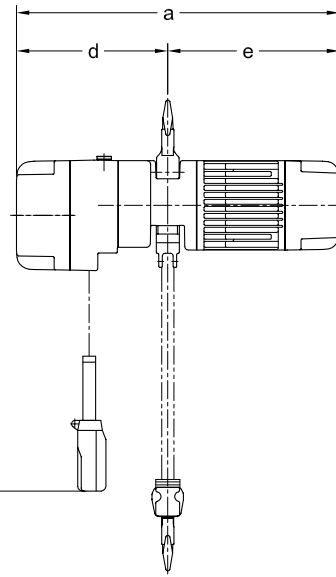
*See page 59 for additional information.



SNER005L



SNER005L



SINGLE SPEED—SPECIFICATIONS

| Cap. (Tons) | Product Code | Standard Lift (ft) | Push Button Cord L (ft) | Lifting Speed (ft/min) | Lifting Motor Single Phase 60 Hz | | | Load Chain Diameter (mm) x Chain Fall Lines | Net Weight (lbs) | Weight for Additional One Foot of Lift (lbs) |
|-------------|--------------|--------------------|-------------------------|------------------------|----------------------------------|----------------------|----------|---|------------------|--|
| | | | | | Output (Hp) | Rated Current (amps) | | | | |
| | | | | | | @115V | @230V | | | |
| 1/4 | SNER003S | 10 | 7.2 | 14 | 0.34 | 7.7 | 3.9 | 5.0 x 1 | 82 | 0.37 |
| 1/2 | SNER005L | | | 7 | | | | 6.3 x 1 | | |
| 1/2 | SNER005S | | | 15 | 0.6 | 16.9 | 8.5 | 6.3 x 1 | 104 | 0.57 |
| 1 | SNER010L | | | 7 | | | | 8.0 x 1 | | |
| 1 | SNER010S | | | 14 | 8.0 x 1 | 159 | 0.93 | | | |
| 2 | SNER020L | | | 7 | 1.2 | | | 23.9 | 12.0 | 10.0 x 1 |
| 3 | SNER030C | | | 8.2 | | 3.5 | 10.0 x 2 | | | 207 |

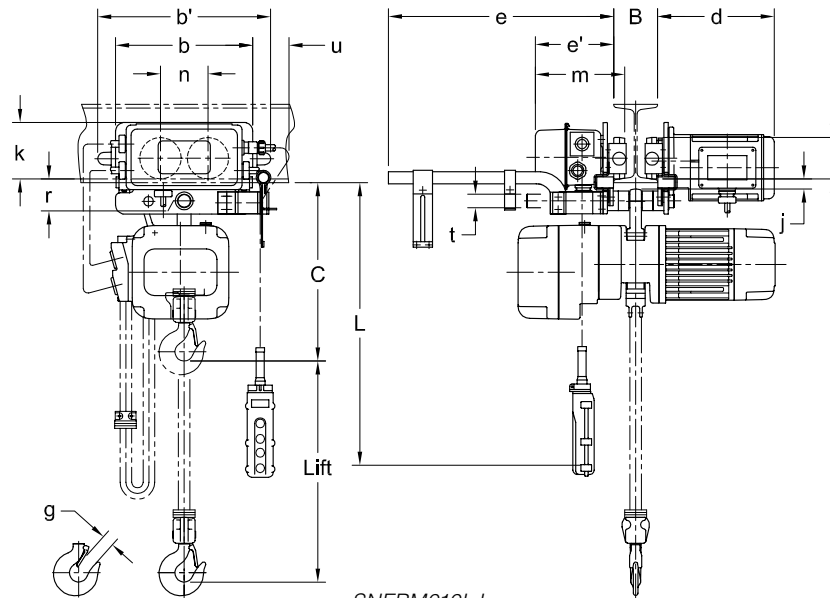
SINGLE SPEED—DIMENSIONS

| Cap. (Tons) | Product Code | Headroom C (in) | a (in) | b (in) | d (in) | e (in) | g (in) | h (in) | i (in) |
|-------------|--------------|-----------------|--------|--------|--------|--------|--------|--------|--------|
| 1/4 | SNER003S | 13.8 | 22.2 | 13.0 | 10.4 | 11.9 | 0.9 | 4.0 | 3.9 |
| 1/2 | SNER005L | 14.0 | 22.2 | 13.0 | 10.4 | 11.9 | 0.9 | 4.0 | 3.9 |
| 1/2 | SNER005S | 14.6 | 23.2 | 13.8 | 10.6 | 12.6 | 0.9 | 4.7 | 4.1 |
| 1 | SNER010L | 16.1 | 23.2 | 13.8 | 10.6 | 12.6 | 1.2 | 4.7 | 4.1 |
| 1 | SNER010S | 17.3 | 26.9 | 16.5 | 12.4 | 14.4 | 1.2 | 6.1 | 5.2 |
| 2 | SNER020L | 22.6 | 26.9 | 16.5 | 12.4 | 14.4 | 1.5 | 6.1 | 5.2 |
| 3 | SNER030C | 29.5 | 26.9 | 16.5 | 12.4 | 14.4 | 1.7 | 8.2 | 3.0 |

SNER Electric Chain Hoists with Hook and Lug Suspensions and Motorized, Push and Geared Trolleys



SNERM005L



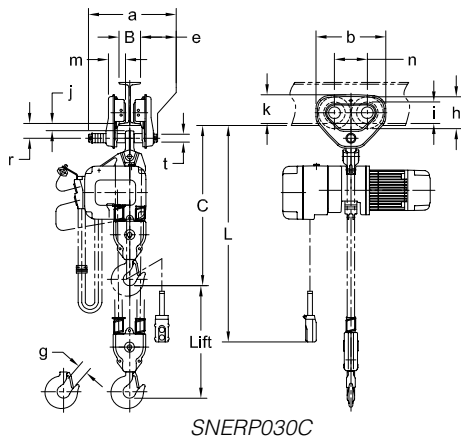
SNERM010L-L

SINGLE SPEED HOIST WITH SINGLE SPEED TROLLEY—SPECIFICATIONS

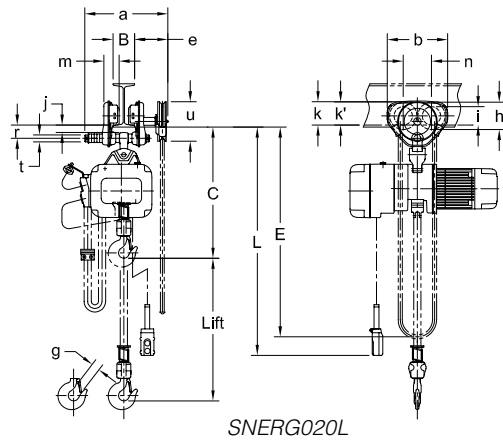
| Cap. (Tons) | Product Code | Std. Lift (ft) | Push Button Cord L (ft) | Lifting Speed (ft/min) | Traversing Speed (ft/min) | Lifting Motor Single Phase 60 Hz | | | Traversing Motor Single Phase 60 Hz | | | Flange Width Adjustability B (in) | | Min. Allow. Radius for curve (in) | Load Chain Dia. (mm) x Chain Fall Lines | Net Weight (lbs) | Weight for Additional One Foot of Lift (lbs) |
|-------------|---------------|----------------|-------------------------|------------------------|---------------------------|----------------------------------|----------------------|--------|-------------------------------------|----------------------|--------|-----------------------------------|-------------------------------|-----------------------------------|---|------------------|--|
| | | | | | | Output (Hp) | Rated Current (amps) | | Output (Hp) | Rated Current (amps) | | Standard | Optional | | | | |
| | | | | | | | @ 115V | @ 230V | | @ 115V | @ 230V | | | | | | |
| 1/4 | SNERM003S-L/S | 10 | 7.5 | 14 | L = 40 S = 80 | 0.34 | 7.7 | 3.9 | 0.54 | 6.2 | 3.1 | 2.28 to 5.00 | 5.01 to 6.02 OR 6.03 to 12.00 | 31.5 | 5.0 x 1 | 168 | 0.37 |
| 1/2 | SNERM005L-L/S | | | 7 | | | | | | | | | | | 6.3 x 1 | 170 | 0.57 |
| 1/2 | SNERM005S-L/S | | | 15 | | | | | | | | | | | 6.3 x 1 | 190 | 0.57 |
| 1 | SNERM010L-L/S | | | 7 | | 8.0 x 1 | 196 | 0.93 | | | | | | | | | |
| 1 | SNERM010S-L/S | | | 14 | | 8.0 x 1 | 245 | 0.93 | | | | | | | | | |
| 2 | SNERM020L-L/S | | | 7 | | 10.0 x 1 | 276 | 1.5 | | | | | | | | | |
| 3 | SNERM030C-L/S | | | 8.2 | | 3.5 | 1.2 | 23.9 | | | | | | | 12.0 | 3.23 to 6.02 | 6.03 to 7.02 OR 7.03 to 12.00 |

SINGLE SPEED HOIST WITH SINGLE SPEED TROLLEY—DIMENSIONS

| Cap. (Tons) | Product Code | Headroom C (in) | b (in) | b' (in) | d (in) | e (in) | e' (in) | g (in) | i (in) | j (in) | k (in) | m (in) | n (in) | r (in) | t (in) | u (in) |
|-------------|---------------|-----------------|--------|---------|--------|--------|---------|--------|--------|--------|--------|--------|--------|--------|--------|--------|
| 1/4 | SNERM003S-L/S | 14.6 | 12.4 | 15.6 | 10.6 | 20.3 | 7.0 | 0.9 | 3.74 | 0.9 | 5.1 | 8.0 | 4.3 | 2.0 | 1.22 | 3.2 |
| 1/2 | SNERM005L-L/S | 14.6 | 12.4 | 15.6 | 10.6 | 20.3 | 7.0 | 0.9 | 3.74 | 0.9 | 5.1 | 8.0 | 4.3 | 2.0 | 1.22 | 3.2 |
| 1/2 | SNERM005S-L/S | 15.4 | 12.4 | 15.6 | 10.6 | 20.3 | 7.0 | 0.9 | 3.74 | 0.9 | 5.1 | 8.0 | 4.3 | 2.0 | 1.22 | 3.2 |
| 1 | SNERM010L-L/S | 16.5 | 12.4 | 15.6 | 10.6 | 20.3 | 7.0 | 1.2 | 3.74 | 0.9 | 5.1 | 8.0 | 4.3 | 2.0 | 1.22 | 3.2 |
| 1 | SNERM010S-L/S | 17.7 | 12.4 | 15.6 | 10.6 | 20.3 | 7.0 | 1.2 | 3.74 | 0.9 | 5.1 | 8.0 | 4.3 | 2.0 | 1.22 | 3.2 |
| 2 | SNERM020L-L/S | 22.2 | 12.8 | 16.4 | 10.7 | 20.5 | 7.2 | 1.5 | 4.33 | 1.1 | 4.9 | 8.3 | 4.6 | 2.4 | 1.42 | 3.0 |
| 3 | SNERM030C-L/S | 28.9 | 13.4 | 17.4 | 10.8 | 20.5 | 7.3 | 1.7 | 4.92 | 1.1 | 5.2 | 8.5 | 5.2 | 2.7 | 1.69 | 2.7 |



SNERP030C



SNERG020L

SINGLE SPEED HOIST WITH PUSH OR GEARED TROLLEY—SPECIFICATIONS

| Cap. (Tons) | Product Code | Std Lift (ft) | Push Button Cord L (ft) | Lifting Speed (ft/min) | Lifting Motor Single Phase 60 Hz | | | Flange Width Adjustability B (in) | | Min.* Allow. Radius for curve (in) | Load Chain Dia. (mm) x Chain Fall Lines | Net Weight (lbs) | Weight for Additional One Foot of Lift (lbs) |
|-------------|------------------|---------------|-------------------------|------------------------|----------------------------------|----------------------|-------|-----------------------------------|--|------------------------------------|---|------------------|--|
| | | | | | Output (Hp) | Rated Current (amps) | | Standard | Optional | | | | |
| | | | | | | @115V | @230V | | | | | | |
| 1/4 | SNERP(SNERG)003S | 10 | 7.5 | 14 | 0.34 | 7.7 | 3.9 | 2.28 to 4.00 (2.28 to 5.00) | 4.01 to 8.00 (5.01 to 8.00) OR 8.01 to 12.00 | 43.3 (51.2) | 5.0 x 1 | 93 (110) | 0.37 (1.0) |
| 1/2 | SNERP(SNERG)005L | | | 7 | | | | | | | | | |
| 1/2 | SNERP(SNERG)005S | | | 15 | | | | | | | | | |
| 1 | SNERP(SNERG)010L | | | 7 | 0.6 | 16.9 | 8.5 | 2.28 to 5.00 | 5.01 to 8.00 OR 8.01 to 12.00 | 51.2 | 8.0 x 1 | 130 (141) | 0.93 (1.5) |
| 1 | SNERP(SNERG)010S | | | 14 | | | | | | | | | |
| 2 | SNERP(SNERG)020L | | | 7 | 1.2 | 23.9 | 12.0 | 3.23 to 6.02 | 6.03 to 12.00 | 59.1 | 10.0 x 1 | 209 (220) | 1.5 (2.2) |
| 3 | SNERP(SNERG)030C | | | 8.2 | | | | | | | | | |

Figures in parentheses are data for geared trolley.

*Minimum flange width for curved beam: 1 Ton Push and 1/4 to 1 Ton Geared = 2.87 in.; 3 Ton Push or Geared = 3.50 in.

SINGLE SPEED HOIST WITH PUSH TROLLEY—DIMENSIONS

| Cap. (Tons) | Product Code | Headroom C (in) | a (in) | b (in) | e (in) | g (in) | h (in) | i (in) | j (in) | k (in) | m (in) | n (in) | r (in) | t (in) |
|-------------|--------------|-----------------|--------|--------|--------|--------|--------|--------|--------|--------|--------|--------|--------|--------|
| 1/4 | SNERP003S | 15.4 | 8.0 | 7.2 | 1.8 | 0.9 | 3.2 | 2.36 | 0.7 | 3.0 | 1.9 | 3.3 | 1.5 | 0.87 |
| 1/2 | SNERP005L | 15.4 | 8.0 | 7.2 | 1.8 | 0.9 | 3.2 | 2.36 | 0.7 | 3.0 | 1.9 | 3.3 | 1.5 | 0.87 |
| 1/2 | SNERP005S | 16.1 | 8.0 | 7.2 | 1.8 | 0.9 | 3.2 | 2.36 | 0.7 | 3.0 | 1.9 | 3.3 | 1.5 | 0.87 |
| 1 | SNERP010L | 18.1 | 9.8 | 9.3 | 2.2 | 1.2 | 4.2 | 2.80 | 1.1 | 3.7 | 2.2 | 4.4 | 2.0 | 0.98 |
| 1 | SNERP010S | 19.5 | 9.8 | 9.3 | 2.2 | 1.2 | 4.2 | 2.80 | 1.1 | 3.7 | 2.2 | 4.4 | 2.0 | 0.98 |
| 2 | SNERP020L | 24.6 | 11.8 | 11.0 | 2.7 | 1.5 | 5.0 | 3.35 | 1.3 | 4.4 | 2.8 | 5.2 | 2.4 | 1.26 |
| 3 | SNERP030C | 29.3 | 12.6 | 12.8 | 3.1 | 1.7 | 5.8 | 3.94 | 1.4 | 5.3 | 3.1 | 6.0 | 2.7 | 1.42 |

SINGLE SPEED HOIST WITH GEARED TROLLEY—DIMENSIONS

| Cap. (Tons) | Product Code | Headroom C (in) | E (ft) | a (in) | b (in) | e (in) | g (in) | h (in) | i (in) | j (in) | k (in) | k' (in) | m (in) | n (in) | r (in) | t (in) | u (in) |
|-------------|--------------|-----------------|--------|--------|--------|--------|--------|--------|--------|--------|--------|---------|--------|--------|--------|--------|--------|
| 1/4 | SNERG003S | 16.1 | 10.5 | 13.6 | 9.3 | 6.0 | 0.9 | 4.2 | 2.80 | 1.1 | 3.7 | 4.2 | 2.2 | 4.4 | 2.0 | 0.98 | 7.2 |
| 1/2 | SNERG005L | 16.1 | 10.5 | 13.6 | 9.3 | 6.0 | 0.9 | 4.2 | 2.80 | 1.1 | 3.7 | 4.2 | 2.2 | 4.4 | 2.0 | 0.98 | 7.2 |
| 1/2 | SNERG005S | 16.9 | 10.5 | 13.6 | 9.3 | 6.0 | 0.9 | 4.2 | 2.80 | 1.1 | 3.7 | 4.2 | 2.2 | 4.4 | 2.0 | 0.98 | 7.2 |
| 1 | SNERG010L | 18.1 | 10.5 | 13.6 | 9.3 | 6.0 | 1.2 | 4.2 | 2.80 | 1.1 | 3.7 | 4.2 | 2.2 | 4.4 | 2.0 | 0.98 | 7.2 |
| 1 | SNERG010S | 19.5 | 10.5 | 13.6 | 9.3 | 6.0 | 1.2 | 4.2 | 2.80 | 1.1 | 3.7 | 4.2 | 2.2 | 4.4 | 2.0 | 0.98 | 7.2 |
| 2 | SNERG020L | 24.6 | 10.5 | 15.2 | 11.0 | 6.1 | 1.5 | 5.0 | 3.35 | 1.3 | 4.4 | 4.3 | 2.7 | 5.2 | 2.4 | 1.26 | 7.2 |
| 3 | SNERG030C | 29.3 | 11.0 | 15.7 | 12.8 | 6.2 | 1.7 | 5.8 | 3.94 | 1.4 | 5.3 | 4.5 | 3.1 | 6.0 | 2.7 | 1.42 | 7.2 |